

# Procédés Hallier Collection

◉ **Mini LED spotlight** 1W or 2W

Spotlight

## NANO'R



A tool at the service of professionals



Made in France

Designer - Manufacturer

[www.procedeshallier.fr](http://www.procedeshallier.fr)



# Procédés Hallier Collection

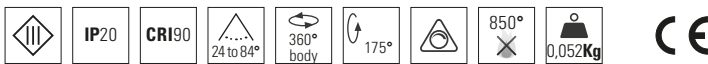
## ► Mini LED spotlight 1W or 2W

Spotlight

# NANO'R



### ► Technical data



Power: 1 W or 2 W

CRI 90 in 3000 K and in 4000 K

External LED driver (not included)

Voltage In:

220 to 240 V, AC 50-60 Hz

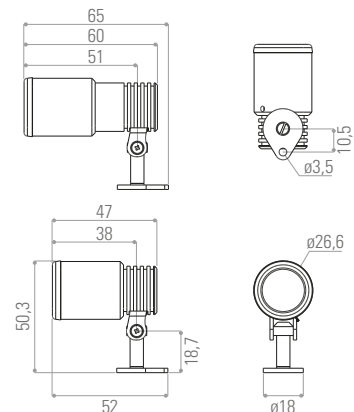
output current 350 mA for 1 W or 700 mA for 2 W

Adjustable zoom from 24° to 84° (or from 20° to 60° at 50% of the luminous flux)

Material: Aluminium

Finish: Black or Grey anodizing

### ► Dimensions (mm)



### ► Options

BLUETOOTH controlled by iPhone, computer or dimmable bluetooth power switch ENOCEAN

Standard LED driver

Electric connector

Dimmable

Other colors available on request

### ► Installation

Fastening rod (as picture)

Other option available on request

### ► Photometry

NANO'R 4000 K 2W 700 mA CRI 90 24°

Distance (m)	Beam Diameter (cm)	lux
0,3	(ø20)	2780
0,5	(ø38)	850
1	(ø56)	354
1,5	(ø88)	119

Measures taken from right in the front of the spotlight

NANO'R 4000 K 2W 700 mA CRI 90 84°

Distance (m)	Beam Diameter (cm)	lux
0,3	(ø60)	1438
0,5	(ø120)	500
1	(ø200)	120
1,5	(ø280)	61

Measures taken from right in the front of the spotlight



Made in France

Factory & Head office : 69, rue Victor Hugo 93100 MONTREUIL - FRANCE

Tel. +33 (0)1 48 51 79 88 • contact@procedeshallier.fr

