

Procédés Hallier Collection

◉ LED framing projector 35W

Framing projector

FENYX PLUS



A tool at the service of professionals



Made in France

Designer - Manufacturer

www.procedeshallier.fr



Procédés Hallier Collection

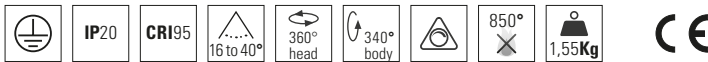


LED framing projector 35W

Framing projector

FENYX PLUS

Technical data



Power: 35W
 CRI 95 in 3000 K and in 4000 K (R9>90)
 Integrated LED driver
 Voltage In:
 120 to 277 V, AC 50-60Hz
 output current 900mA
 Dimmable from 10% to 100% by manual potentiometer
 3 anti-reflective and anti-static lenses, including 2 ones adjustable by control knob
 Adjustable zoom from 16° to 40° - 360° rotary focal
 4 shutters
 Integrated filter holder
 Integrated Gobo holder (gobo dimensions $\varnothing 37$ mm / 1,2 mm thick max - \varnothing for picture 24mm max)
 Material: Steel
 Finish: Powder painted Black, White or Grey - other colors on request
 LED luminous flux* : 3040 lm to 3167 lm

* LED measurement source

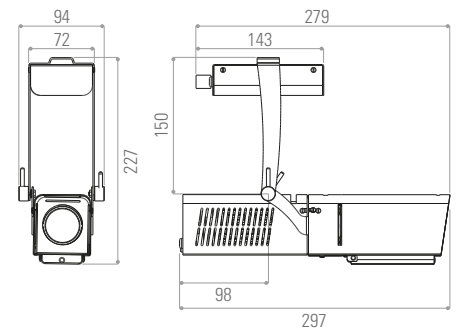
Options

External LED driver
 DALI LED driver
 DMX LED driver
 BLUETOOTH controlled by iPhone, computer or dimmable bluetooth power switch ENOCEAN
 Wideflood beam ($\varnothing 135$ cm at 1 m / $\varnothing 220$ cm at 2 m / $\varnothing 470$ cm at 3 m)

Installation

Single circuit track adaptor
 3-circuit track adaptor
 Backplate
 Other options available on request (clamp, ...)

Dimensions (mm)



Photometry

FENYX PLUS 4000 K 35W 900mA CRI 95

	lux
1m ($\varnothing 36$ cm)	15900
2m ($\varnothing 75$ cm)	4600
3m ($\varnothing 115$ cm)	1720

Measures taken from right in the front of the spotlight



Made in France

Factory & Head office : 69, rue Victor Hugo 93100 MONTREUIL - FRANCE
 Tel. +33 (0)1 48 51 79 88 • contact@procedeshallier.fr

