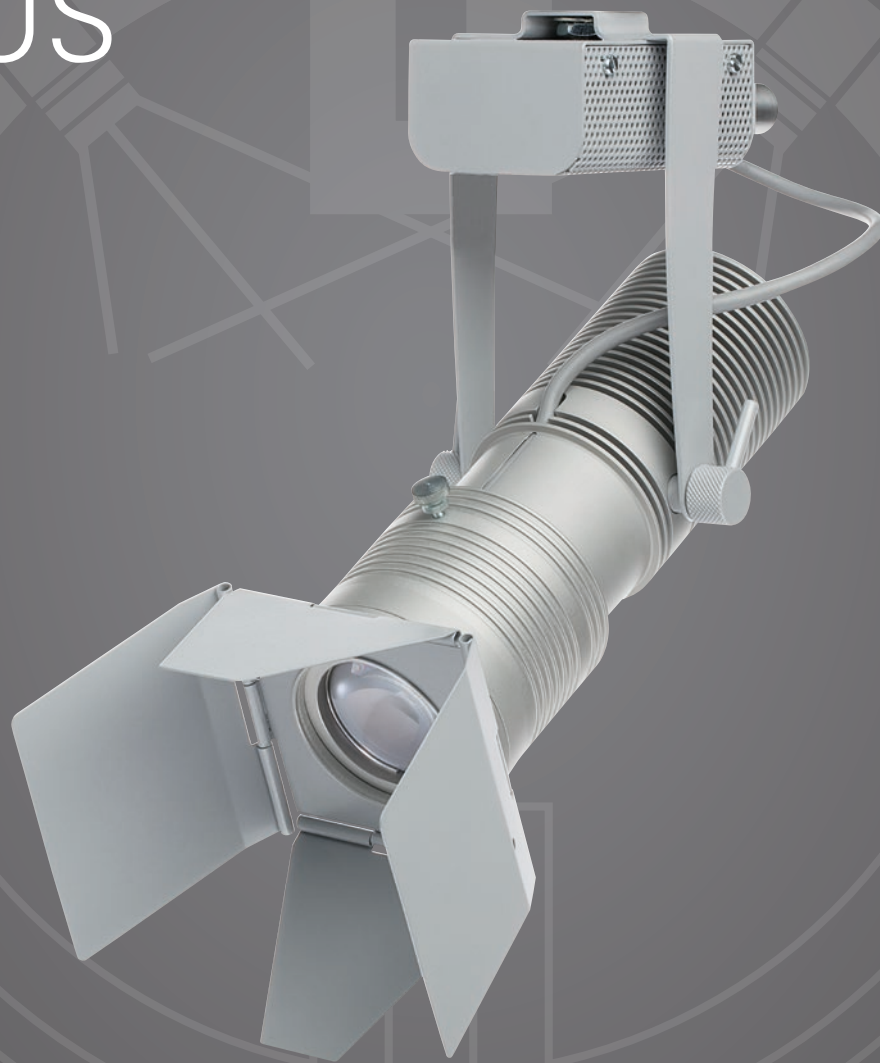


Procédés Hallier Collection

◉ LED spotlight 21W

Spotlight

FOCUS



A tool at the service of professionals



Made in France

Designer - Manufacturer

www.procedeshallier.fr

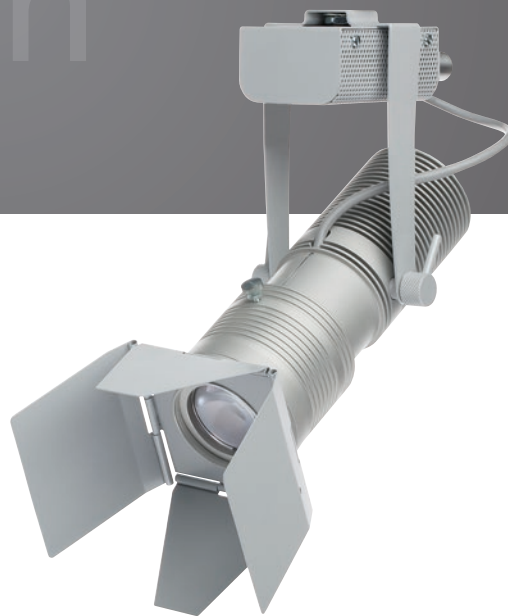


Procédés Hallier Collection

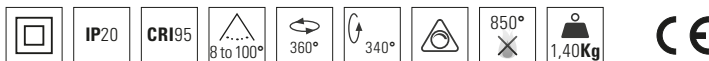
LED spotlight 21W

Spotlight

FOCUS



Technical data



Power: 21 W

CRI 95 in 3000 K and in 4000 K (R9>90)

Integrated LED driver

Voltage In:

90 to 240 V, AC 50-60 Hz

output current 600 mA

Dimmable from 10% to 100% by manual potentiometer

Adjustable zoom from 8° to 100°

Rotary barn doors

Material: Aluminium

Finish: Black or Grey anodizing

LED luminous flux*: 2383 lm to 2420 lm

* LED measurement source

Options

External LED driver

DALI LED driver

DMX LED driver

BLUETOOTH controlled by iPhone, computer or dimmable bluetooth power switch ENOCEAN

Filter holder

Honeycomb filter

Other color available on request (except under the sliding focal)

Installation

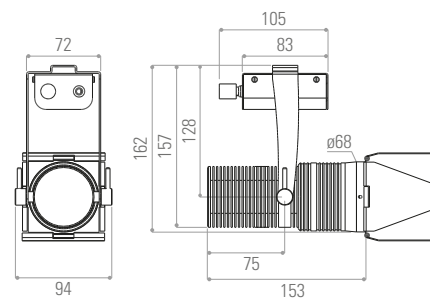
Single circuit track adaptor

3-circuit track adaptor

Backplate

Other options available on request (clamp, ...)

Dimensions (mm)



Photometry

FOCUS 4000 K 21 W 600 mA CRI 95 8°

	lux
1m (ø13cm)	8400
2m (ø28cm)	1220
3m (ø42cm)	829

Measures taken from right in the front of the spotlight

FOCUS 4000 K 21 W 600 mA CRI 95 100°

	lux
1m (ø238cm)	1153
2m (ø477cm)	360
3m (ø715cm)	140

Measures taken from right in the front of the spotlight



Made in France

Factory & Head office : 69, rue Victor Hugo 93100 MONTREUIL - FRANCE

Tel. +33 (0)1 48 51 79 88 • contact@procedeshallier.fr

