

# Procédés Hallier Collection

◉ LED spotlight 12W

Spotlight

## MINI FOCUS



A tool at the service of professionals



Made in France

D e s i g n e r - M a n u f a c t u r e r

[www.procedeshallier.fr](http://www.procedeshallier.fr)



# Procédés Hallier Collection

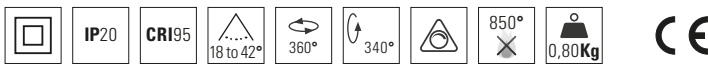
## LED spotlight 12W

Spotlight

# MINI FOCUS



### Technical data



Power: 12W

CRI 95 in 3000 K and in 4000 K (R9>90)

Integrated LED driver

Voltage In:

90 to 240V, AC 50-60 Hz

output current 350 mA

Dimmable from 0% to 100% by manual potentiometer

Adjustable zoom from 18° to 42°

Rotary barn doors

Material: Aluminium

Finish: Black or Grey anodizing

LED luminous flux\*: 1443 lm to 1469 lm

\* LED measurement source

### Options

External LED driver

DALI LED driver

DMX LED driver

BLUETOOTH controlled by iPhone, computer or dimmable bluetooth power switch ENOCEAN

Filter holder

Other colors available on request

### Installation

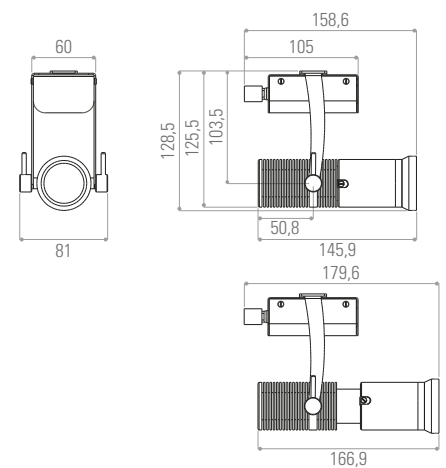
Single circuit track adaptor

3-circuit track adaptor

Backplate

Other options available on request (clamp, ...)

### Dimensions (mm)



### Photometry

MINI FOCUS 4000 K 12W 350 mA CRI 95 18°

Distance	Beam Diameter	Beam Area (lux)
1m	ø32cm	2950
2m	ø63cm	804
3m	ø95cm	385

Measures taken from right in the front of the spotlight

MINI FOCUS 4000 K 12W 350 mA CRI 95 42°

Distance	Beam Diameter	Beam Area (lux)
1m	ø77cm	1350
2m	ø153cm	396
3m	ø230cm	154

Measures taken from right in the front of the spotlight



Made in France

Factory & Head office : 69, rue Victor Hugo 93100 MONTREUIL - FRANCE

Tel. +33 (0)1 48 51 79 88 • contact@procedeshallier.fr

