

Procédés Hallier Collection

◉ LED framing projector 25W

Framing projector

NALUX



A tool at the service of professionals



Made in France

Designer - Manufacturer

www.procedeshallier.fr



Procédés Hallier Collection

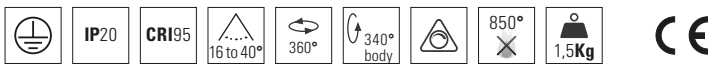


LED framing projector 25W

Framing projector

NALUX

Technical data



Power: 25W

CRI 95 in 3000 K and in 4000 K (R9>90)

Integrated LED driver

Voltage In:

120 to 277 V, AC 50-60Hz

output current 700mA

Dimmable from 0% to 100% by manual potentiometer

3 anti-reflective and anti-static lenses, including 2 ones adjustable by control knob

Adjustable zoom from 16° to 40° - non-rotary focal

4 shutters

Integrated filter holder

Integrated Gobo holder (gobo dimensions $\varnothing 37$ mm / 1,2 mm thick max - \varnothing for picture 24mm max)

Material: Steel

Finish: Powder painted Black, White or Grey - other colors on request

LED luminous flux*: 2464 lm to 2567 lm

* LED measurement source

Options

External LED driver

DALI LED driver

DMX LED driver

BLUETOOTH controlled by iPhone, computer or dimmable bluetooth power switch ENOCEAN

Wideflood beam ($\varnothing 135$ cm at 1 m / $\varnothing 220$ cm at 2 m / $\varnothing 470$ cm at 3 m)

Installation

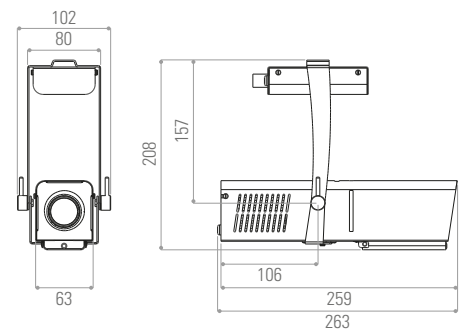
Single circuit track adaptor

3-circuit track adaptor

Backplate

Other options available on request (clamp, ...)

Dimensions (mm)



Photometry

NALUX 4000 K 25W 700mA CRI 95

Distance (m)	Beam Diameter (cm)	Luminous Flux (lux)
1	$\varnothing 40$	10950
2	$\varnothing 80$	3000
3	$\varnothing 120$	1320

Measures taken from right in the front of the spotlight



Made in France

Factory & Head office : 69, rue Victor Hugo 93100 MONTREUIL - FRANCE

Tel. +33 (0)1 48 51 79 88 • contact@procedeshallier.fr

